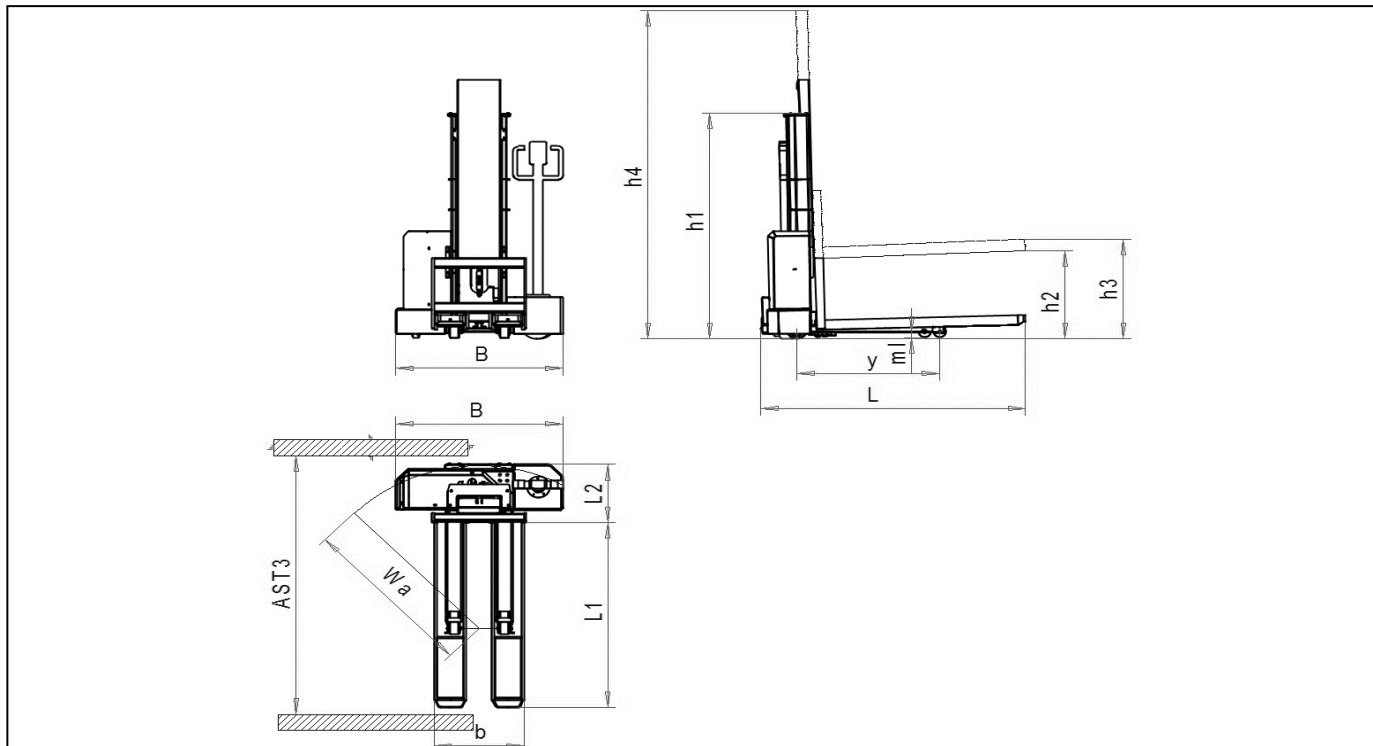


INNOLIFT Self Loader - E-Drive



Technical Data Sheet INNOLIFT

		EL1000.1000	EXL1000.1250
Power		Electric	Electric
Capacity	kg (lb)	1000 (2200 lb)	1000 (2200 lb)
Load centre	mm (inch)	600 (23,62")	600 (23,62")
Lifting height	mm h3 (inch)	1000 (39,37")	1250 (49,21")
Loading height	mm h2 (inch)	900 (35,43")	1150 (45,27")
Own weight	kg (lb)	350 (770 lb)	360 (770 lb)
Overall lowered height	mm h1 (inch)	1470 (57,87")	1720 (67,71")
Overall extended height	mm h4 (inch)	2390 (94,1")	2890 (113,77")
Wheel material		Polyurethane	Polyurethane
Wheel dimensions, front	mm (inch)	75 x 60	75 x 60
Wheel dimensions, rear	mm (inch)	100 x 40 (3,95" x 1,57")	100 x 40 (3,95" x 1,57")
Wheel dimensions, Drivemotor	mm (inch)	210 x 80 (8,27" x 3,15")	210 x 80 (8,27" x 3,15")
Total length	mm L (inch)	1595 (62,8")	1595 (62,8")
Length without forks	mm L2 (inch)	390 (15,35")	390 (15,35")
Chassis width	mm B (inch)	1000 (39,37")	1000 (39,37")
Wheel base	mm y (inch)	980 (38,58")	980 (38,58")
Fork dimensions	mm (inch)	195 x 60 (7,68" x 2,36")	195 x 60 (7,68" x 2,36")
Fork length	mm L1 (inch)	1200 (47,24")	1200 (47,24")
Fork width	mm b (inch)	540 (21,26")	540 (21,26")
Ground clearance	mm ml	0 - 30	0 - 30
Working aisle AST3	mm (inch)	1860 (53,15")	1860 (53,15")
Turning radius	mm Wa (inch)	1140 (44,88")	1140 (44,88")
Parking brake		Electric	Electric
Lifting motor	kW	0,8	0,8
Driving motor	kW	0,65	0,65
Color, Chassis / Cover		Black / Green	Black / Green
Battery capacity	V / Ah	24 / 38	24 / 38
Charger	V / A	24 / 10	24 / 10

Frendix Oy

Vierikatu 11, 04430 Järvenpää

Finland

info@frendix.fi

© Frendix Oy 2021

Frendix Oy keeps the right for changes